

Introduction

The 67AFR filter regulator is a pressure reducing supply Regulator typically used for pneumatic and electro-pneumatic controllers, as well as other instrumentation equipment. The 67AFR provides constant, clean air or gas supply to devices requiring reduced pressure for control.

The additional maintenance or part information be required, please refer to the 67AFR Instruction Manual.



67AFR-02(1/4")
Aluminum Alloy Body,
with 1/4"NPT vent

Specification

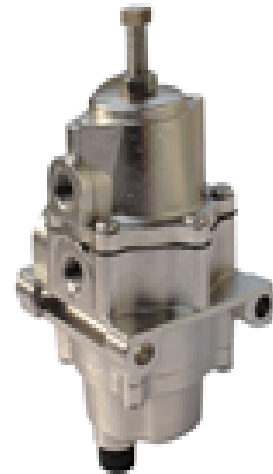
Ambient Temperature :
Standard: -25°C ~ +80°C
Low Temperature : -50°C ~ +80°C (Optional)

Maximum Inlet Pressure:
250psig (17.2bar)
Maximum Outlet Pressure:
50psig (3.4bar) over outlet pressure setting

Outlet Pressure Ranges:
0~35psig (0~2.4bar)
0~60psig (0~4.1bar)
0~125psig (0~8.6bar)

Flow Value: 1000NL/Min

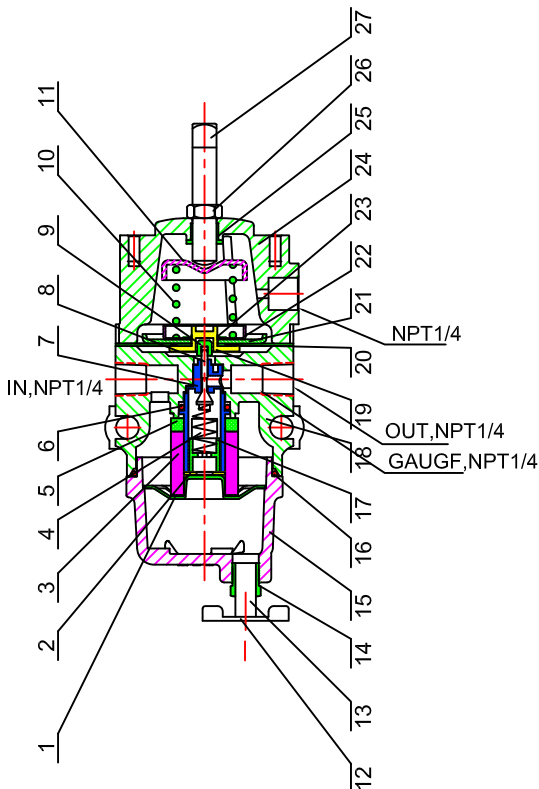
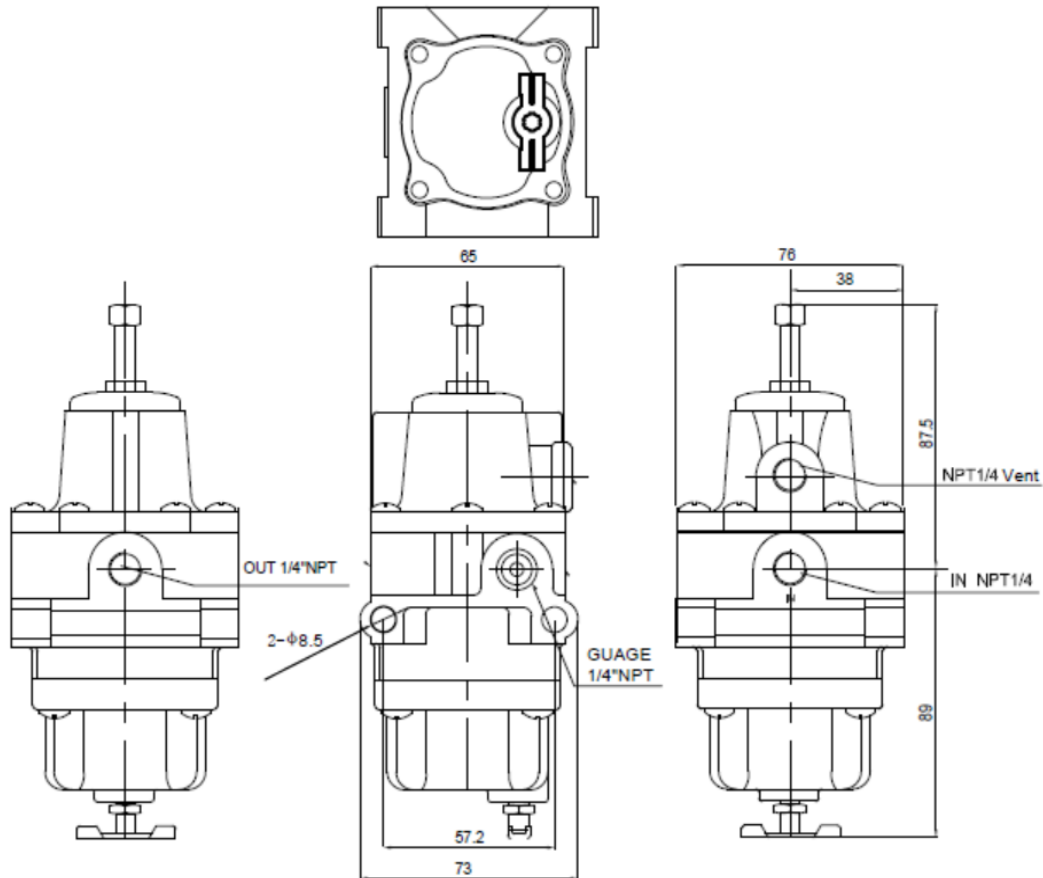
Approximate weight of 67AFR-02:
0.45kg - Aluminum Alloy Body
1.20kg - 316SS Body



67AFSR-02(1/4")
316SS Body
with 1/4"NPT vent

NUTORK® | 67AFR Air Filter Regulator

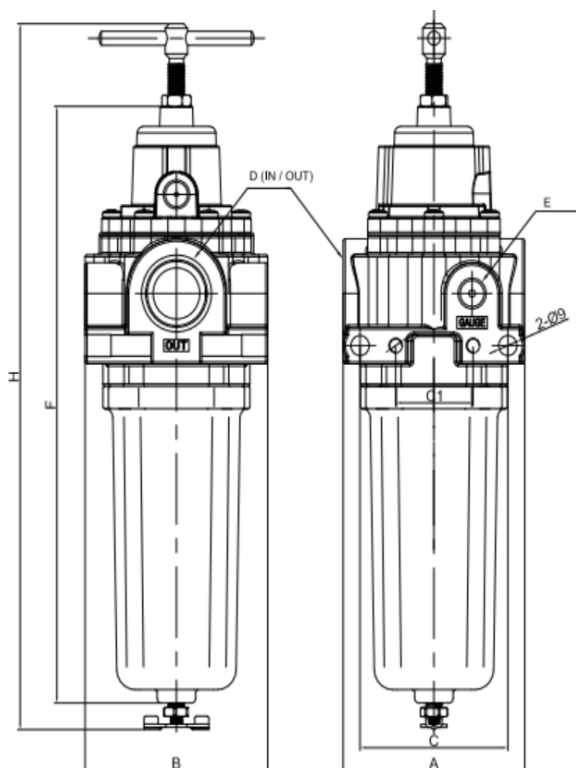
67AFR/67AFSR-02 Outline Dimension



27	Adjusting Screw	1	Q235 with zinc plated/316SS
26	Nut	1	Q235 with zinc plated/316SS
25	Thread Bushing	1	Q235 with zinc plated/316SS
24	Upper Body	1	Aluminum Alloy or 316SS
23	Card	1	201SS or 316SS
22	Small Holder	1	Aluminum Alloy or 316SS
21	Big Holder	1	Aluminum Alloy or 316SS
20	Diaphragm	1	Epichlorohydrin Rubber
19	T-Clamp Pad	1	Nylon
18	Mid-body	1	Aluminum Alloy or 316SS
17	Plug	1	POM
16	O-ring	1	NBR
15	Lower Body	1	Aluminum Alloy or 316SS
14	Drain Valve Body	1	H59-1
13	Drain Valve Spool	1	H62
12	Drain Valve Knob	1	Q235 with zinc plated/316SS
11	Spring Gland	1	Q235 with zinc plated
10	Compressed Spring	1	Spring Steel with Zinc Plated
9	Plastic Cap	1	NBR
8	Vulcanized Valve Needle	1	H59-1/NBR
7	Valve Spool	1	POM
6	O-ring	1	NBR
5	Flat Rubber Gasket	1	NBR
4	Tower Spring	1	304SS
3	Filter	1	White Polyethylene
2	Flat Rubber Gasket	1	NBR
1	Porous Bracket	1	Q235 with zinc plated
No.	Description	Qty.	Material

NUTORK® | 67AFR Air Filter Regulator

67AFR/67AFSR-03(3/8")~08(1") Specification



67AFR Series
Aluminum Alloy Body

67AFSR Series
316SS Body



Dimension Table:

Unit: mm

Item	A	B	C	C1	H	D	E	F	Model
1	73	76	57	31	261	3/8"	1/4"	212.5	67AFR/67AFSR-03
2	73	76	57	31	261	1/2"	1/4"	212.5	67AFR/67AFSR-04
3	89.5	90	73		316.5	3/4"	1/4"	267.5	67AFR/67AFSR-06
4	89.5	90	73		316.5	1"	1/4"	267.5	67AFR/67AFSR-08
5	146	146	127		428	1-1/2"	1/4"	356	67AFR/67AFSR-12
6	146	146	127		428	2"	1/4"	356	67AFR/67AFSR-16

Technical Data:

Model	Aluminum Alloy	67AFR-03	67AFR-04	67AFR-06	67AFR-08	67AFR-12	67AFR-16
	316SS	67AFSR-03	67AFSR-04	67AFSR-06	67AFSR-08	67AFSR-12	67AFSR-16
Air Conn.		3/8"	1/2"	3/4"	1"	1-1/2"	2"
Flow Value(NL/Min)		2800	3000	8100	8500	21000	32400
Medium	Compressed Air						
Regulator Construction	Diaphragm Type						
Body Material	Aluminum Alloy or 316SS						
Bowl Material	Aluminum Alloy or 316SS						
Filtration	5um						
Pressure Range	0~1MPa						
Max. Operating Pressure	1.5Mpa						
Ambient Temp.	-25~+80°C(Std.), Low Temp.: -50~+80°C (Optional)						
Standard Drain	Manual Drain (Optional: Auto Drain)						
Accessories	Pressure Gauge, Plug, Bolts						