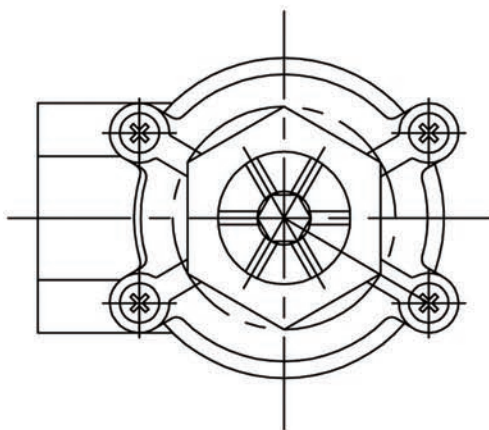


QEV Series
Aluminum Alloy Material



QEVS Series
316SS Material



Technical Data Table:

Model	Material	Port Size	Max. Flow Capacity (L/min)	Flow Coefficient (CV)	Effective Cross-section (mm ²)	
					IN → OUT	OUT → EXH
QEV/QEVS-03	Alu.Alloy /316SS	3/8"	3000	3	105	115
QEV/QEVS-04	Alu.Alloy /316SS	1/2"	4500	4.5	105	115
QEV/QEVS-06	Alu.Alloy /316SS	3/4"	5000	5	135	180
QEV/QEVS-08	Alu.Alloy /316SS	1"	6600	6.6	160	220

Outline Dimension Table

Item	Model	A	B	C	H	H1
1	QEV/QEVS-03	55.5	47.25	3/8"	78.95	65.5
2	QEV/QEVS-04	55.5	47.25	1/2"	78.95	65.5
3	QEV/QEVS-06	72.5	55.75	3/4"	112.5	66.5
4	QEV/QEVS-08	72.5	55.75	1"	112.5	66.5

Mark	PCS	Rev.No.	Signature	Date	Drawing	Technics	Standard
					Check	Audit	Date

NUTORK CORP.

Shanghai City Qingpu District Zhuguang Rd.899
www.nutork.com

TEL:86-021-59887103
FAX:86-021-59887203
E-mail:nutork@nutork.com

Drawing Mark	Angle of view	WEIGHT	RATIO	Parts No:
A4			1:1	QEV/QEVS Quick Exhaust Valve Dimension Drawing
Total	Pages	Page No:	Drawing No: NU-QEV-WXT-EN	