



Alu.Alloy Material
Model: AOV



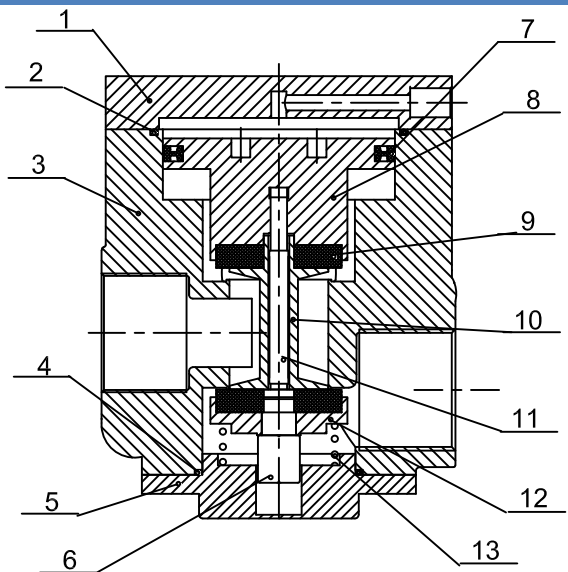
316SS Material
Model: AOVS

Description:

The air operated valve is 3/2 way type, when it receives signal, it will acting immediately, when loss signal, the valve will reset. The valve has good sealing, quick action, and long service life. It can be used in harsh environments, with sensitive and reliable acting, simple structure and easy installation. It is a reliable control element for pneumatic actuators under quick open and close conditions.

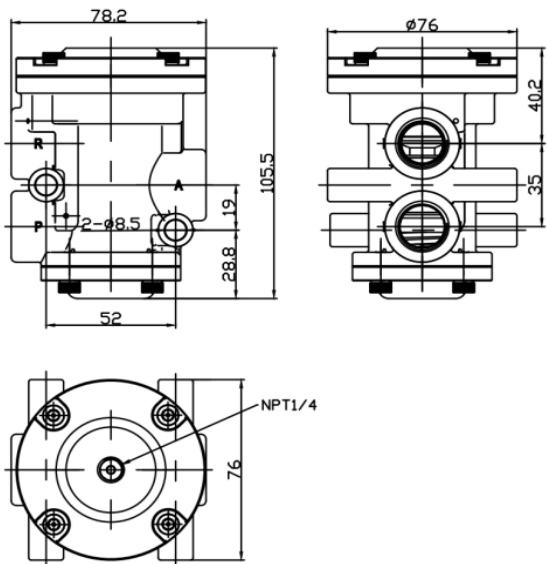
Technical Data:

Model	AOV-03 AOVS-03	AOV-04 AOVS-04	AOV-06 AOVS-06	AOV-08 AOVS-08	AOV-12 AOVS-12	AOV-16 AOVS-16
Nominal Diameter (mm)	10	15	20	25	40	50
Pressure Range(Mpa)	0.2~0.9					
Min. Air Supply Pressure. (Mpa)	0.2					
Reversing Time (S)	0.1		0.2		0.5	
Ambient Temp.	-25 ~ +75 (std.), -55 ~ +75 (low temp., for option)					
Sevice Life times	4 millions					
Port Size	3/8"NPT	1/2"NPT	3/4"NPT	1"NPT	1-1/2"NPT	2"NPT
Max. Flow Capacity (L/min)	3800	4850	10500	14000	49000	57000
Air signal conn. size	1/4"NPT					

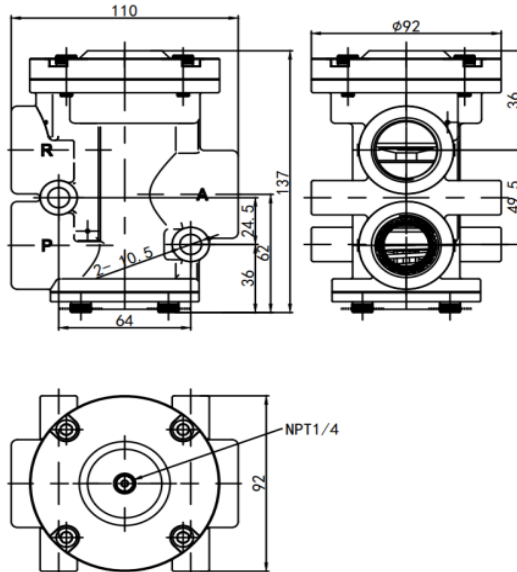


13	Spring	1	AISI 1045 Steel
12	Lower end cap	1	1060-H12 bar (SS)
11	Valve Stem	1	AISI 316L SS
10	Guide bearing	1	1060-H12 bar (SS)
9	Flat Gasket	1	NBR
8	Piston	1	1060-H12 bar (SS)
7	Piston seal ring	1	NBR
6	Valve Stem Nut	1	Brass /316SS
5	Bottom Cap	1	1060 Alloy/ 316SS
4	O-ring	1	NBR
3	Body	1	356.0-T6 Casting /316SS
2	O-ring	1	NBR
1	Top Cap	1	1060 Alloy /316SS
No.	Description	Qty.	Material

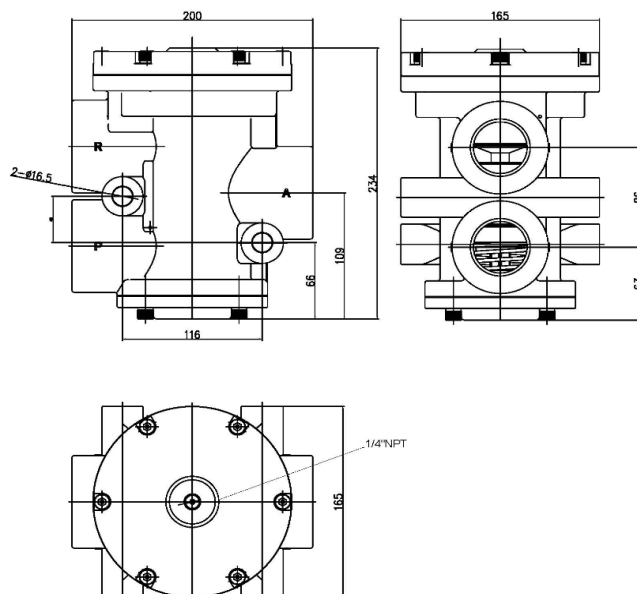
AOV/AOVS-03/04



AOV/AOVS-06/08



AOV/AOVS-12/16



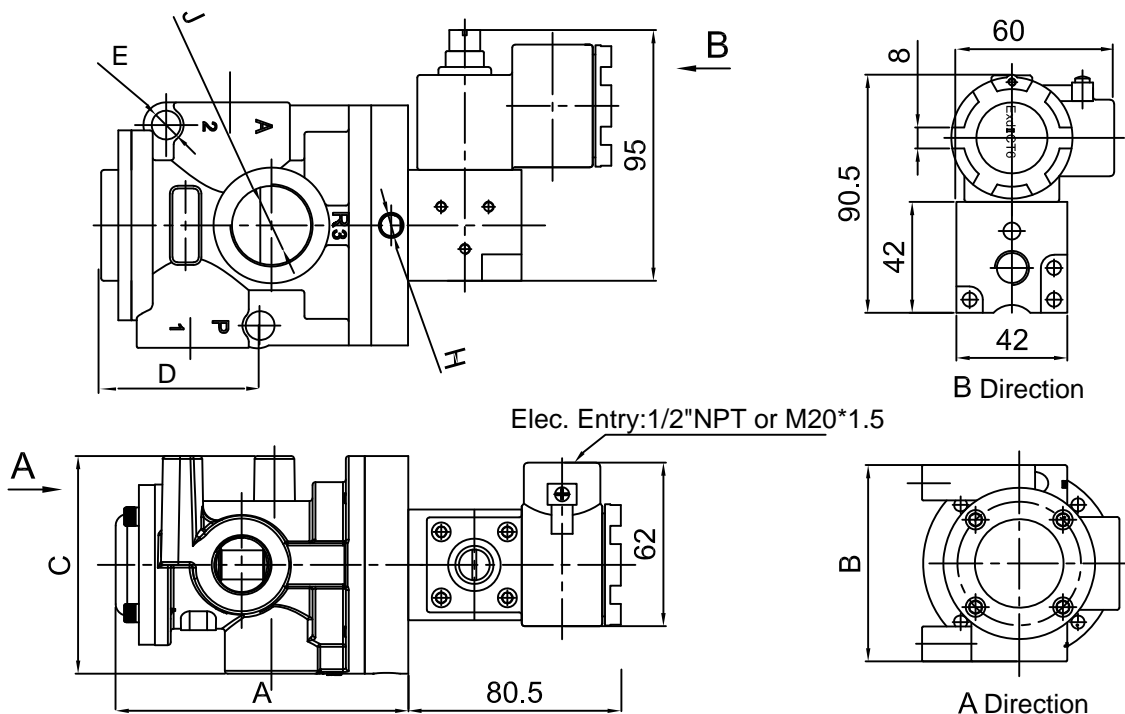
Technical Data:

No.	Model	SV+AOV	SV+AOVS
1	Material	Aluminum Alloy	316SS
2	Media	Air	
3	Operation Type	Pilot Acting	
4	Valve Type	3/2 way	
5	Air Conn.	1/4"NPT	
6	Lubrication	Not Required	
7	Pressure Range	0.15 ~ 0.8 Mpa	
8	Max. Pressure	9 bar	
9	Temp. Range	-25 ~ +75 (std.), -55 ~ +75 (low temp., for option)	
10	Voltage Range	-15% ~ 10%	
11	Power Consumption	DC=2.5W(std.) Or 0.5W(Low power consumption, as option)	
12	Insulation Class	Class H	
13	Enclosure	IP67 & EExdIICT6	
14	Electric Entry	1/2"NPT or M20x1.5	
15	Max. Operation Frequency	5 cycles/second	
16	Mounting	Pipe mounted	
17	Coil Qty	Single Coil	



Alu.Alloy Material
Model: SV+AOV

316SS Material
Model: SV+AOVS



Dimension Table:

Unit: mm

Item	Model	A	B	C	D	E	J	Max. Flow Capacity
1	SV+AOV(S)-03	105.5	76	76	47.8	2- 8.5	3x3/8"NPT	3800L/min
2	SV+AOV(S)-04	105.5	76	76	47.8	2- 8.5	3x1/2"NPT	4850L/min
3	SV+AOV(S)-06	137	92	92	62	2- 10.5	3x3/4"NPT	10500L/min
4	SV+AOV(S)-08	137	92	92	62	2- 10.5	3x1"NPT	14000L/min
5	SV+AOV(S)-12	234	165	165	109	2- 16.5	3x1.5"NPT	49000L/min
6	SV+AOV(S)-16	234	165	165	109	2- 16.5	3x2"NPT	57000L/min